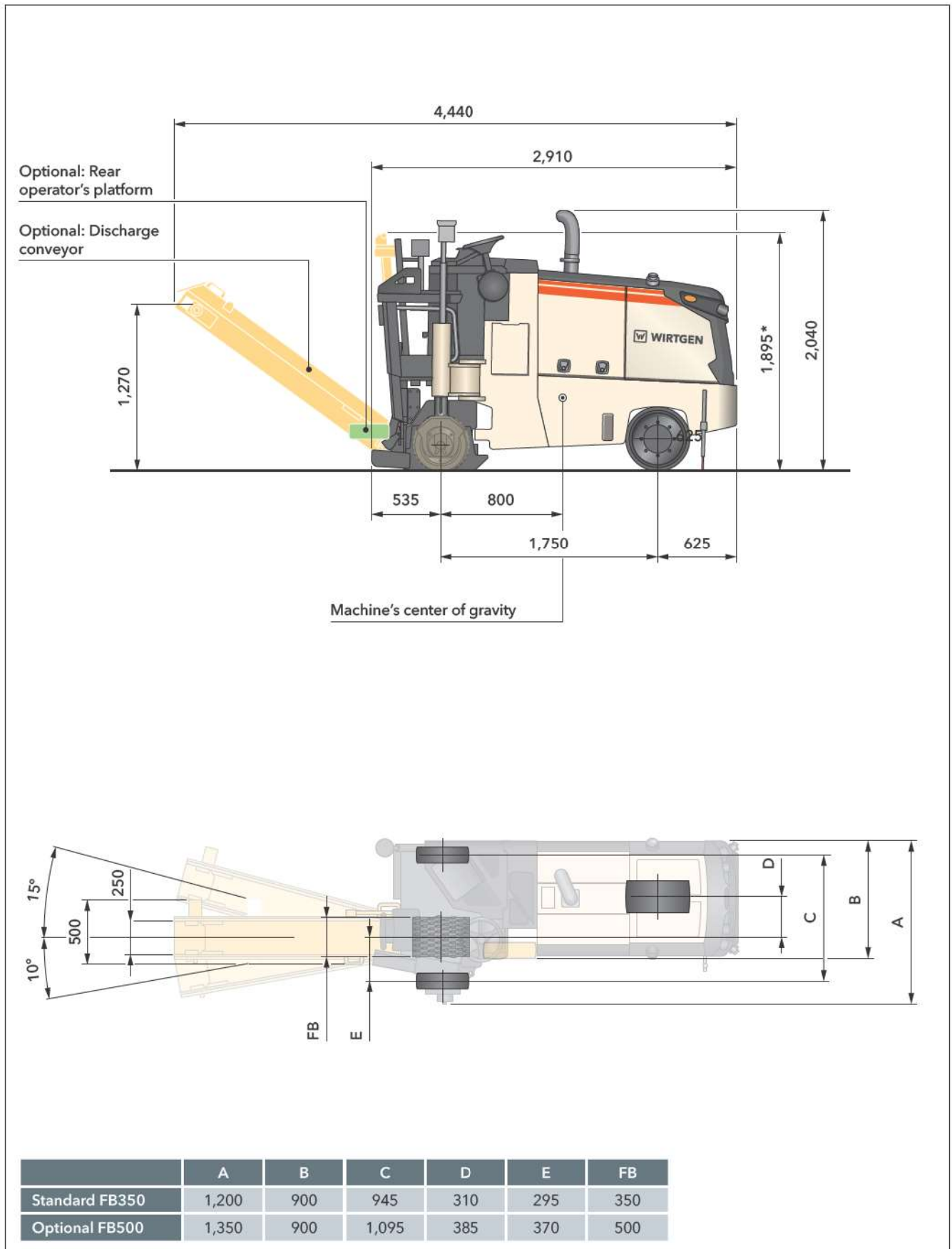


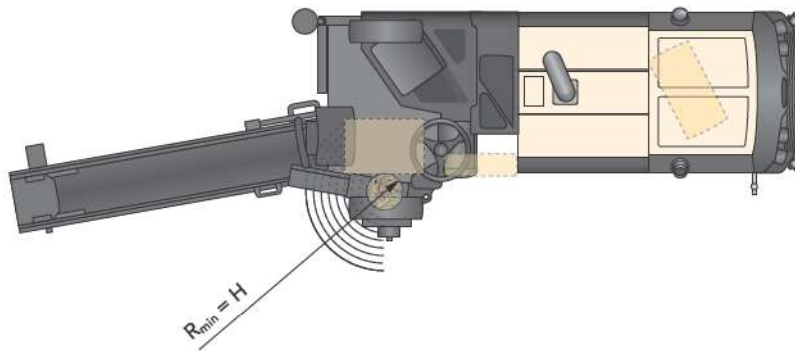
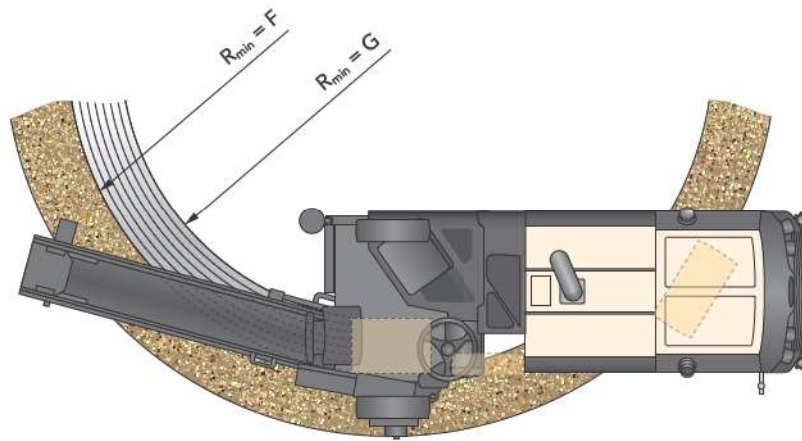
Dimensions

W 35 Ri



Dimensions in mm

* = Maximum machine height with exhaust pipe removed



	F	G	H
Standard FB350	2,990	2,640	80
Optional FB500	3,140	2,640	0

Milling radius, milling depth 50 mm, dimensions in mm